



LiftMate LEPT 20 POWERED PALLET TRUCK

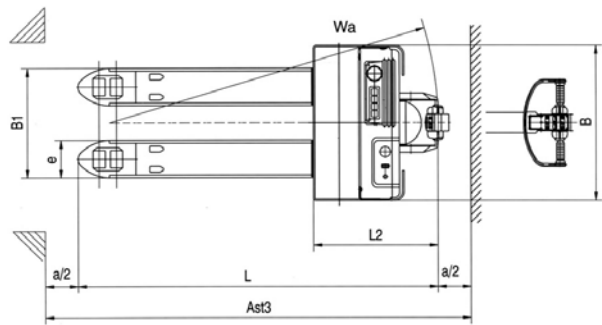
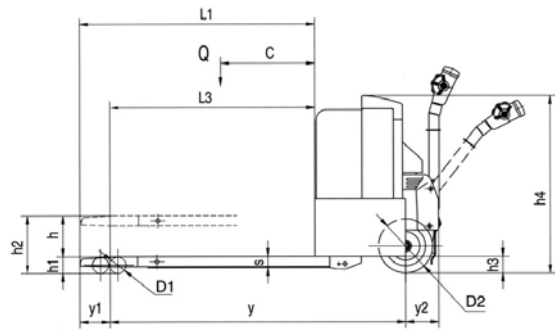
The **LiftMate LEPT 20** powered pallet truck has a capacity of 2000kg and is designed for horizontal transport of pallets. It's battery and motor specifications are for medium to heavy use.

- Very compact for a 2t machine
- Special sizes and capacities available



FEATURES & BENEFITS

- Safe and effortless moving of pallets
- Great stability
- Easy pallet entry
- Battery is rechargeable from any standard mains sockets
- Battery discharge indicator
- Operating hours meter
- Optional rider platform
- Reel carrying and platform versions available



Technical Specifications

Model	LEPT 20
Capacity (Q)	2000 kg
Lift height	85 – 205mm
Drive unit length (L2)	530mm
Width	800mm
Overall length	1730mm
Turning radius (Wa)	1520mm
Width over forks	540 or 685mm
Length of forks	1150mm
Drive speed	3.0 km/h fully loaded 3.5 km/h without load
Max. gradient loaded	5%
Max. gradient without load	7%
Battery	24 Volt / 210Ah
Drive motor	24V / 2kW
Load wheels	ø80x80mm polyurethane
Steer wheel	Ø248x65mm polyurethane
Approx weight (w/o battery)	380kg
Approx weight (w/o battery)	600kg