



LiftMate LSS 14.36 POWERED STRADDLE PALLET STACKER

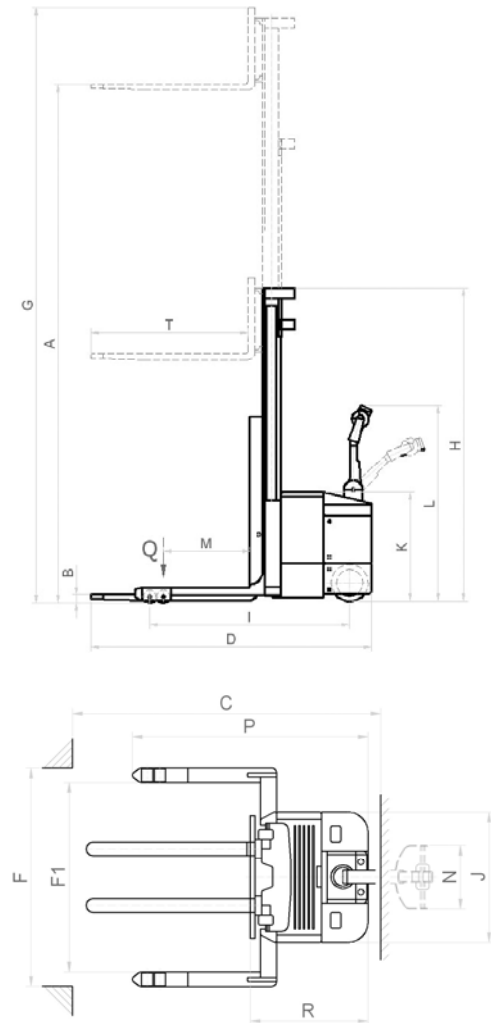
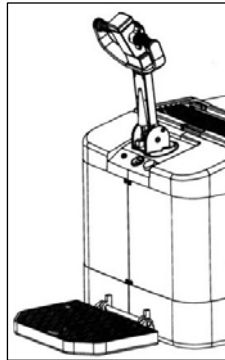
The **LiftMate LPS 14.36** powered pallet stacker truck has a capacity of 1400kg and lifts to 2.6m. It is designed for horizontal and vertical transport of pallets with bottom boards (eg GKN/CHEP pallets) up to 1200mm wide x 1200mm deep. It is a heavy duty machine with a large capacity battery.

- Duplex mast
- Adjustable forks
- Straddle legs



FEATURES & BENEFITS

- Safe and effortless moving of pallets
- Great stability
- Adjustable forged forks on standard carriage
- Special attachments available (eg boom, jib, drum clamp)
- Battery is rechargeable from any standard mains sockets
- Battery discharge indicator
- Operating hours meter
- Optional rider platform



Technical Specifications

Model	LSS 14.36
Capacity (Q)	1400 kg
Lift height	85 – 3600mm
Drive unit length (R)	765mm
Width (J)	850mm
Overall length (D)	1875mm
Minimum aisle width	2780mm
Width over forks	adjustable
Length of forks	1110mm
Drive speed	3.0 km/h fully loaded 3.5 km/h without load
Max. gradient loaded	5%
Max. gradient without load	7%
Battery	24 Volt / 280Ah
Drive motor	24V / 0.93kW
Lift motor	24V / 3.00kW
Load wheels	ø84x70mm polyurethane (tandem)
Drive wheel	ø 248x75mm polyurethane
Balancing wheels	ø 149x48mm polyurethane (2 off)
Approx weight (without battery)	844kg
Approx weight (with battery)	1150kg