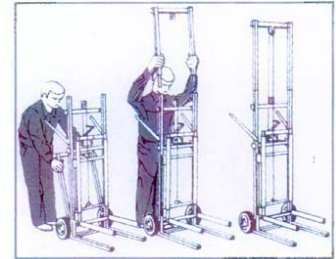


150kg Capacity Manual Winch Stacker



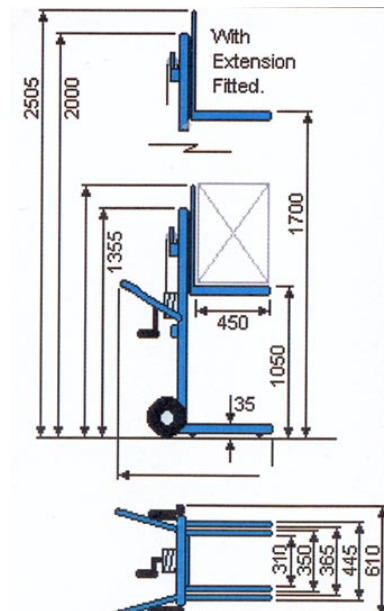
INSTALLATION OF THE EXTENSION PIECE



LiftMate WSB150 is a sack truck and winch stacker in one. It is ideally suited for handling of boxes, crates and small pallets up to the maximum weight of 150kg. Fitted with 2 solid rubber tyres and four bearing roller balls it is more maneuverable than a regular stacker or sack truck. A removable platform (450 x 450mm) which fits over the forks is supplied with the truck.

- light duty stacker is the ideal solution to countless handling problems
- use as sack barrow, low lift stacker or convert to a high lifting stacker
- ideal for loading cars, vans, lorries and stacking items onto shelving
- hand winch fitted with clutch winch mechanism, no hydraulics, minimum maintenance

Principal Dimensions (mm)



Model	WSB150	WSB150 with extension
Lifting capacity	150kg	150kg
Lifting height	1,070mm	1,700mm
Fork length	450mm	450mm
Width over forks	350mm	350mm
Lowered forks height	35mm	35mm