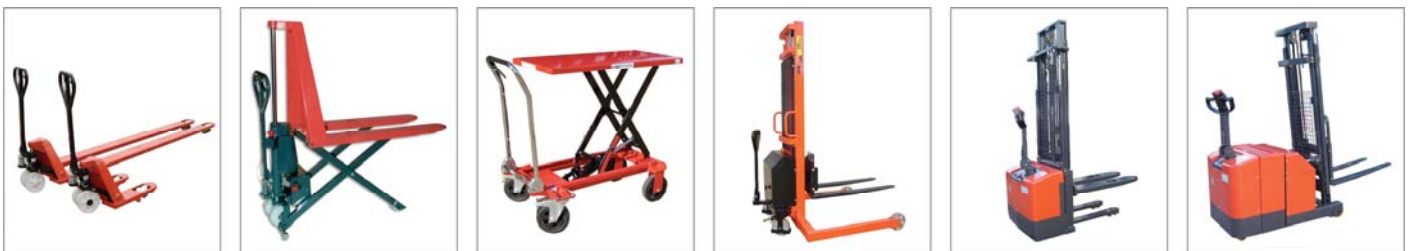




## Mobile Scissor Lift Tables

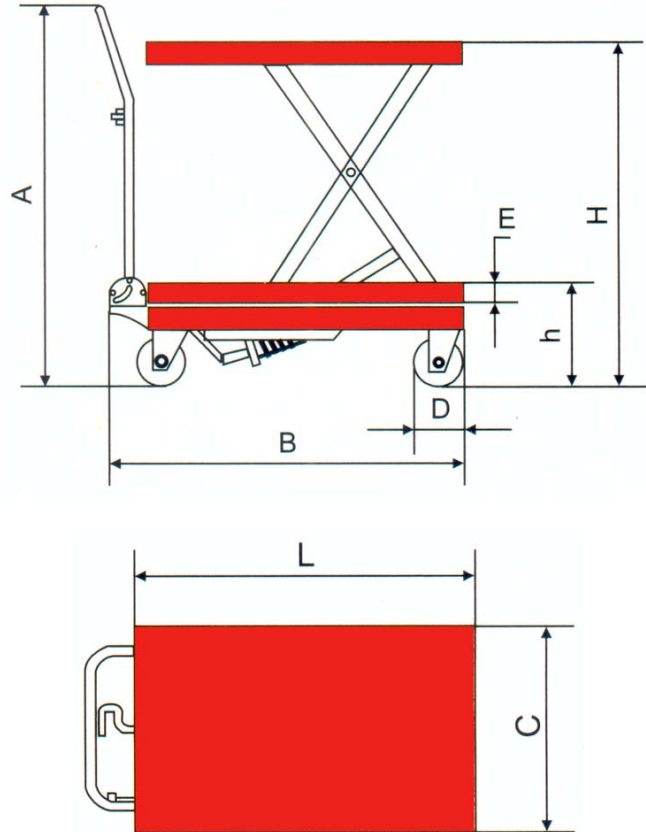
Our wide range of medium to heavy duty hydraulic lift tables is smooth and easy to operate. The tables are used for many types of work and are therefore a versatile lifting aid within industrial, workshop and warehouse as well as other environments. The range includes both manual and electric operated lift tables and we can offer galvanised, stainless steel versions of most models. Different table tops (eg rotating, with rollers, ball bearings) can be fitted to all tables and we can design and build completely bespoke versions to match your requirements.

All tables conform to:  
BS-EN1570 (Safety Requirements for Lifting Tables)  
BS EN 292 (Safety of Machinery – Basic Concepts Parts 1 and 2)



## FEATURES & BENEFITS

- Heavy duty design
- Great stability & manoeuvrability
- Foot pump to lift platform
- Hand lever to release/lower platform
- Can be used safely at any height
- Special bespoke designs available
- Both swivel wheels are fitted with a total stop brakes as standard



## Technical Specifications

Model		TXL150	TXL200	TXL300	TXL500	TXL500L	TXL800	TXL1000	TXL1500
Lift		manual	manual	manual	manual	manual	manual	manual	manual
Capacity	kg	150	200	300	500	500	800	1000	1500
Platform size (C x L)	mm	450 x 700	500 x 1000	500 x 855	500 x 815	800 x 1600	510 x 1000	515 x 1015	610 x 1220
Lift height (h - H)	mm	225 - 740	340 - 1000	340 - 915	280 - 900	310 - 910	420 - 1000	380 - 1010	420 - 1010
Pump strokes to max.height	#	23	18	25	48	42	48	50	52
Handle height (A)	mm	935	1055	970	1000	970	970	970	970
Wheel diameter (D)	mm	100	200	125	125	125	150	150	150
Overall length incl. pedal (B)	mm	930	1120	1080	1080	1820	1370	1320	1570
Weight	kg	43	70	75	79	134	115	121	142

Note: 720mm  
O/A width

Model		TXL500L	TXL150D	TXL350D	TXL680D	TXL800D	BSL30D	BSL50D	BSL80D
Lift		manual	manual	manual	manual	manual	manual	manual	manual
Capacity	kg	500	150	350	680	800	300	500	800
Platform size (C x L)	mm	800 x 1600	450x700	500 x 910	610x1210	610 x 1220	520 x 1010	520 x 1010	520 x 1010
Lift height (h - H)	mm	310-910	310-1120	350 - 1300	475 - 1510	485 - 1500	435 - 1620	450 - 1500	470 - 1420
Pump strokes to max.height	#	42	16/30	46	25 / 70	90	55	72	88
Handle height (A)	mm	970	920	970	1020	970	1130	1185	1185
Wheel diameter (D)	mm	125	100	125	150	150	150	150	150
Overall length incl. pedal (B)	mm	1820	890	1130	1490	1590	1160	1160	1160
Weight	kg	134	47	103	176	181	134	144	150